

MIL-R-2726/31A(SH)
3 July 1986

SUPERSEDING
MIL-P-2726/31(SHIPS)
30 June 1967

MILITARY SPECIFICATION SHEET

- Ⓐ RECEPTACLE, PLUG, ELECTRICAL, 10-AMPERE, 125-VOLT,
DOUBLE POLE, MALE (SYMBOL NO. 729.1)
- Ⓐ This specification is approved for use within the Naval Sea Systems
Command, Department of the Navy, and is available for use by all
Departments and Agencies of the Department of Defense.
- Ⓐ The requirements for acquiring the receptacle described herein shall
consist of this specification and the latest issue of MIL-R-2726.

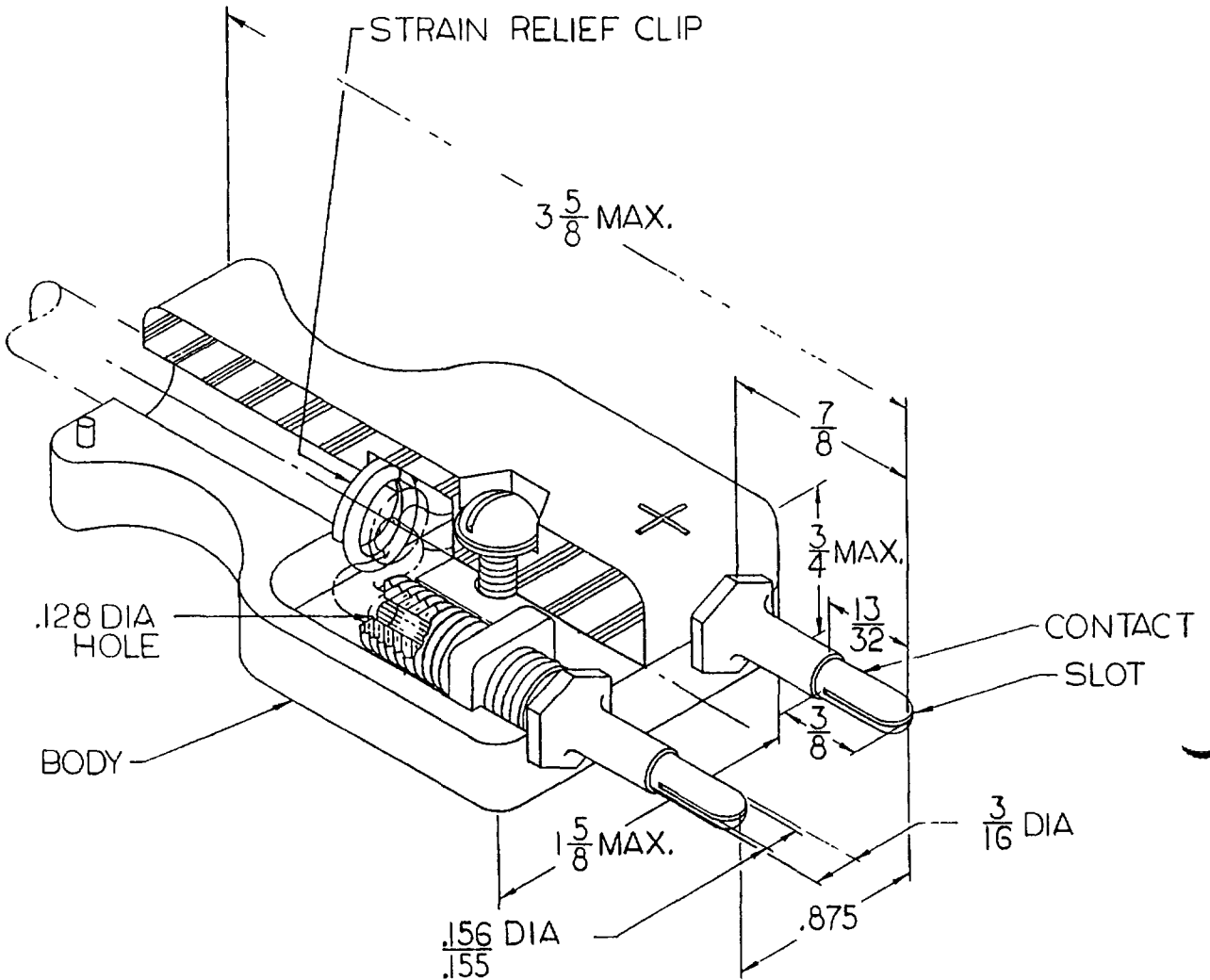
Ⓐ denotes changes.

AMSC N/A

FSC 5935

DISTRIBUTION STATEMENT A Approved for public release, distribution unlimited

MIL-R-2726/31A(SH)



SH 9109

NOTES:

1. Dimensions are in inches. Unless otherwise specified, tolerances are $\pm \frac{1}{64}$ inch for fractions and ± 0.005 inch for decimals.
2. Supersedes: Drawing 9000-S6202-73481, symbol 729.

FIGURE 1. Dimensions and configuration.

REQUIREMENTS:

1. Dimensions and configuration: See figure 1.
2. Contact resistance: When tested as specified in 4.7.3 of MIL-R-2726, the voltage drop shall not exceed 10 millivolts. Measured between the connection stud of the plug and the connection stud of the test receptacle.
3. Uncoupling force: Minimum of 10 pounds.
4. Strain relief: 20 pounds.
5. H.I. shock: Disengagement of the plug from its test receptacle under H.I. shock shall not be considered as a failure.
- (A) 6. Ball drop: Applicable if body material is plastic.
- (A) 7. Contact hardness: Minimum of Rockwell 76B.
- (A) 8. Mating receptacle: MIL-R-2726/32, part number M2726/32-001 (not furnished).
9. Design: Requirements for single pole plug and plug body in accordance with MIL-R-2726 are applicable. Polarity signs shall be molded or engraved on both front and back sides of the plug body.
- (A) 10. Material: Body - rubber, in accordance with ASTM D 2000 M2AC 710 A13E0 or plastic, in accordance with type MAI-60 of MIL-M-14.
11. Part number: M2726/31-001.
- (A) 12. Electrical rating: 10-ampere, 125-volt.
- (A) 13. Contact finish: Silver plate.

(A) QUALITY ASSURANCE:

Quality assurance shall be as specified in MIL-R-2726 and table I herein. The first article and quality conformance inspections shall consist of the inspections as specified in table I, in the order shown.

TABLE I. First article and quality conformance inspection.

Inspection	Requirement	Test method	First article	Quality conformance
Examination	3.1, 3.3, 3.4, 3.5, 3.6 and 3.7	4.6.1	X	X
Insulation resistance	3.5.1	4.7.1	X	X
Dielectric withstanding voltage	3.5.2	4.7.2	X	X
Contact resistance	3.5.3.1	4.7.3.1	X	X
Uncoupling force	3.5.6	4.7.6	X	X
Endurance	3.5.5	4.7.5	X	
Mechanical abuse	3.5.8	4.7.8	X	
Ball drop impact	3.5.15	4.7.15	X	
Uncoupling force	3.5.6	4.7.6	X	
Salt spray	3.5.11	4.7.11	X	
Contact resistance	3.5.3.1	4.7.3.1	X	
Current load	3.5.12	4.7.12	X	
Vibration	3.5.9	4.7.9	X	
Shock	3.5.10	4.7.10	X	
Dielectric withstanding voltage	3.5.2	4.7.2	X	
Strain relief	3.5.7	4.7.7	X	
Rockwell hardness	3.5.14	4.7.14	X	

MIL-R-2726/31A(SH)

Preparing activity:
Navy - SH
(Project 5935-N255-32)