

L6L0181

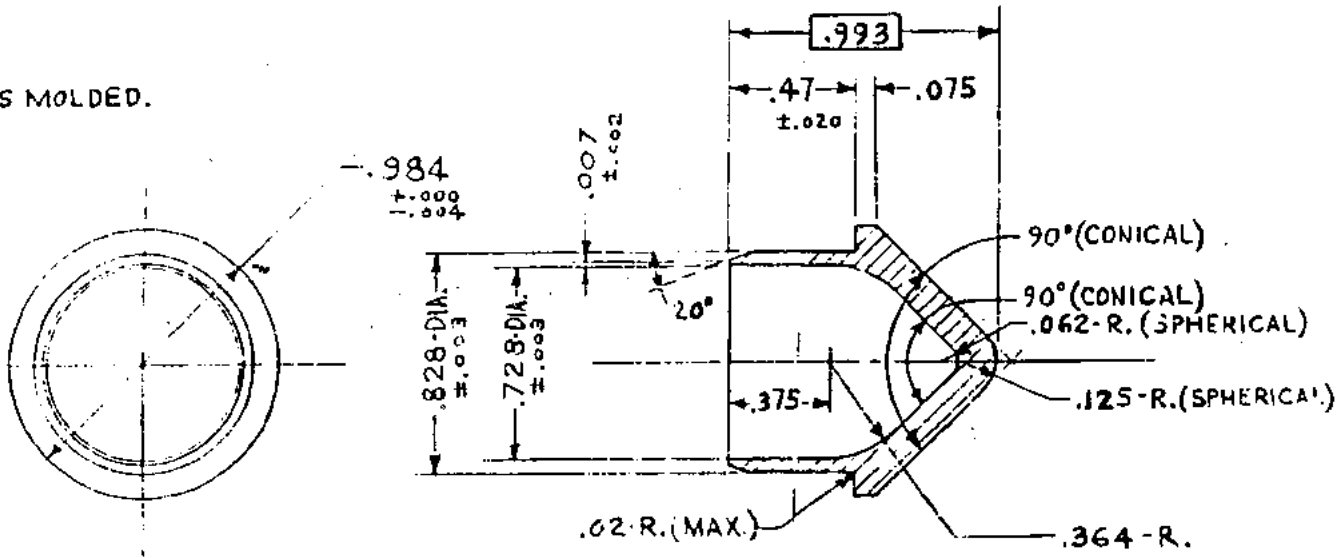
REVISIONS			
SYM	DESCRIPTION	DATE	APPROVAL
A	(1) SEE NOR 1810797A	11-23-71	WAS (LTR)
B	(1) SEE NOR 1810797-B	6-10-75	SKS (LTR)

M.F 6.9.9M



ACTUAL SIZE

FINISH AS MOLDED.



(A1)

NOTES:
 1. IDENTIFY AS 30003-1810797
 (APPLICABLE REV LTR).
 DO NOT MARK ON PIECE.

(A4)

(A3)

(A2) CODE IDENT 30003

UNLESS OTHERWISE SPECIFIED DIMENSIONS ARE IN INCHES TOLERANCES ON FRACTIONS ± DECIMALS ±.010 ANGLES ± 1°		APPROVED 6 Dec. 1957	TOMPION		BUREAU OF ORDNANCE DEPARTMENT OF THE NAVY U. S. NAVAL GUN FACTORY WASHINGTON, D. C.	
DO NOT SCALE THIS DRAWING		<i>J.B. Bennett</i> CAPTAIN, U. S. N. BY DIRECTION OF THE CHIEF OF BUREAU				
MATERIAL: POLYETHYLENE L-P-390, TYPE II, GRADE 2, CL-L (YELLOW) (B1)		ENGINEER <i>W.H.</i> 26-57	CHECKED <i>J.P.G.W.</i> 26-57	SCALE 2/1	UNIT WT.	JOB ORDER
LD 266027	LD 266026	DRAWN A.T.S. 8-30-56				
20 MM MK12 GUN	USED ON APPLICATION					
						BUREAU DRAWING NO. 1810797