

- ③1 - YELLOW - ETCHED
- ③2 - BLUE - ETCHED
- ③3 - CLEAR - ETCHED
- ③4 - GREEN - ETCHED
- ③5 - RED - ETCHED
- ③6 - CLEAR

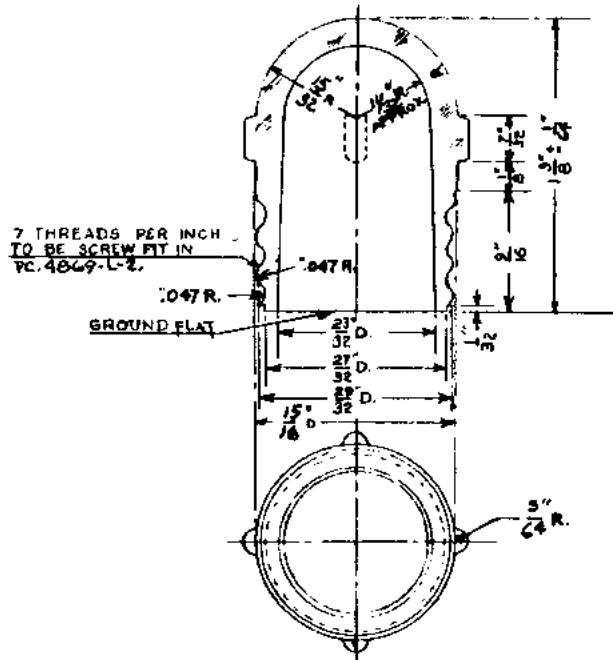
MATERIAL:

SHALL BE EITHER GLASS OR PLASTIC.
GLASS SHALL BE COMMERCIAL, COLORS SHALL COMPLY WITH SPEC. FED. STD. 2, CATEGORY I.



PLASTIC:

PC. 31 SHALL COMPLY WITH NOTE 3 ON SHEET 1.03.
PC. 32 SHALL COMPLY WITH NOTE 4 ON SHEET 1.03.
PCS. 33 AND 36 SHALL COMPLY WITH NOTE 6 ON SHEET 1.03.
PC. 34 SHALL COMPLY WITH NOTE 5 ON SHEET 1.03.
PC. 35 SHALL COMPLY WITH NOTE 1 ON SHEET 1.03.



SAME AS 9-S-4869-L-1

M.F. 6.9.97

B1	MATERIAL NOTES REVISED		10-1-54
0	FIRST ISSUE		-
REV.	DESCRIPTION	APPROVED BY	DATE

REVISIONS

GLOBES				NAVY DEPT BUSHIPS DRAWING NO.	REV.
PCS. 31, 32, 33, 34, 35 & 36.				9000 S6405 B 74222	B
SCALE: 24 INCHES = 1 FT				SHEET 4 OF 14	