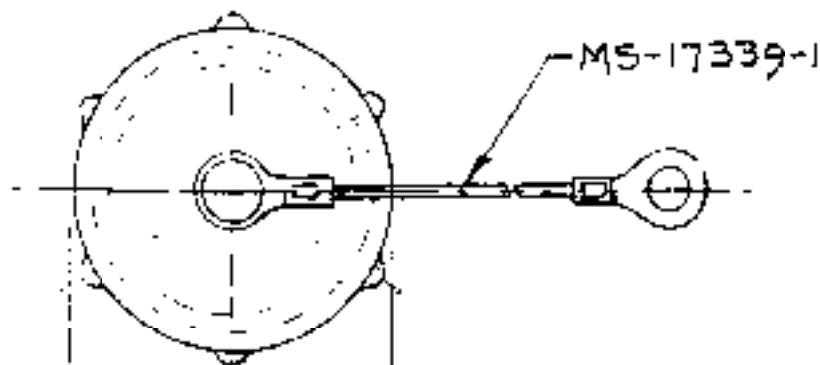


119



RIVET (124)
 RIVET TIGHT -
 CABLE TO BE FREE
 AT ALL TIMES.

CAP (123)

GASKET (125)
 1/16 THK., 1 7/16 DIA.



NOTES:

2. CAP ASSEMBLY, INSTALLED ON RECEPTACLE DWG. 9000-56202-74026, SHALL WITHSTAND THE WATERTIGHT TEST (3-FOOT SUBMERGENCE).

090

P	REVISED PC. 119: ADDED PCS. 123, 124, 125 & MS-17339-1. DELETED PC. 120, NOTE 1.	WJH	10-31-
N	REVISED PC. 120	WJH	2-8-6
L	ADDED PC. 120.	WJH	3-19-
K	FIRST ISSUE	WJH	1-12-
REV.	DESCRIPTION	APPD. BY	DATE

125	RUBBER	MIL-R-3065
PC. NO.	MATERIAL	SPEC.

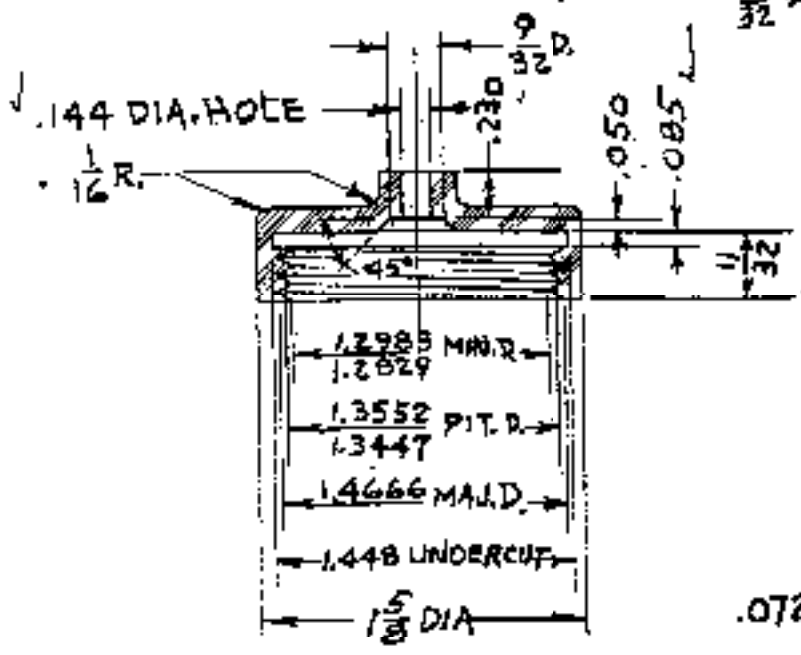
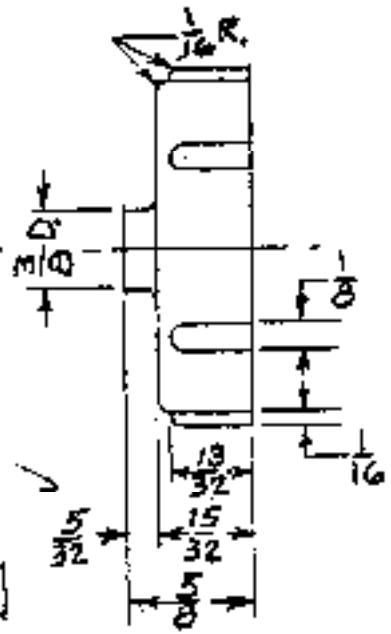
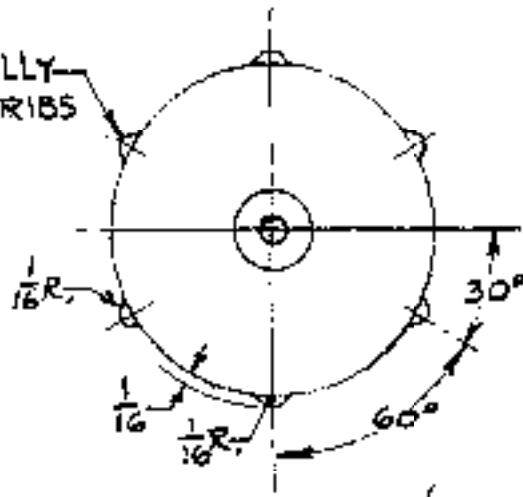
CAP & WIRE ASSY.
 PC. 119

NAVY DEPT. BUSHIPS DRAWING NO. RE
 9000 56202 A 74031 P

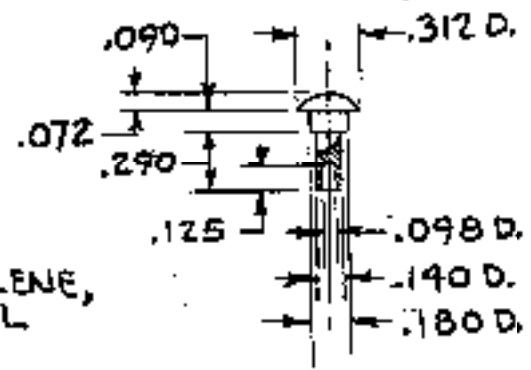
SCALE: 1/2" = 1 FOOT SHEET 52

123 SUPERSEDES PC.45

6 EQUALLY SPACED RIBS



124



NOTES:
 1. CAP MATERIAL SHALL BE POLYETHYLENE, BLACK, HIGH DENSITY, COMMERCIAL GRADE.

DORN EQUIPMENT CORP.
 27 UPHAM STREET
 P. O. BOX "B"
 MELROSE, MA. 02176

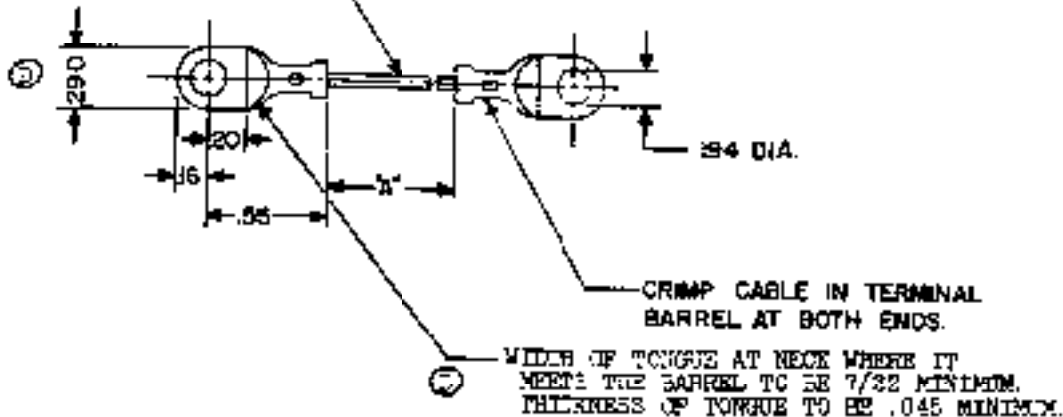
123	SEE NOTE 1	
124	AL5056-H32	COM'L.
PC.NO.	MATERIAL	SPEC.

P	FIRST ISSUE	mtb	10-31
REV.	DESCRIPTION	Approved By	DAT
REVISIONS			

CAP - PC. 123

NAVY DEPT. BUSHIPS DRAWING NO. RE

① SAMLO MFG. CO. INC. 1/32" 1 x 7 STAINLESS STEEL AIRCRAFT CABLE, BLACK VINYL COVERING TO 1/32" O.D. OR EQUAL AND WIRE TERMINAL, BARREL TO SUIT O.D. OF PLASTIC COVERED WIRE. TONGUE ON BOTH ENDS OF WIRE TERMINAL TO BE COPPER OR COPPER ALLOY IN ACCORDANCE WITH MIL-B-16866, TYPE W70, TONGUE SHAPE L-26, SIZE 2 1/2-4 OR TYPE WT AS DIMENSIONED. CONSTRUCTION OF TYPE WT TO BE PRESSURE FROM ONE PIECE SEAMLESS TUBING.



MS PART NUMBER	A
MS17339 -1	6-INCHES
MS17339 -2	10-INCHES

NOTES:

- FOR DESIGN FEATURE PURPOSES THIS STANDARD TAKES PRECEDENCE OVER PROCUREMENT DOCUMENTS REFERENCED HEREIN.
- REFERENCED DOCUMENTS SHALL BE OF THE ISSUE IN EFFECT ON DATE OF INVITATION FOR BIDS.

Project 5975-224256

This standard has been approved by the Military Ship Engineering Division, Department of the Navy, and is mandatory for use by that activity. All other military activities are required to employ this standard where applicable.

APPROVED 5 DEC 1961 REVISED ① 17 AUG 1962 ② 4 SEP 1963 ③ 24 SEP 1965 ④ 21 MAR 1967

P.A. SHIPS	TITLE	MILITARY STANDARD
Other Cost	CABLE, SAFETY (WIRE ROPES)	MS 17339(SHIPS)
Procurement Specification	SUPERSEDES:	SHEET 1 OF 1

REVISIONS

REV.	DESCRIPTION	DATE	APPRN ENGR	DESIGN ENGR.
G	REDRAWN - SEE INDIVIDUAL SHEETS	7/7/56		
H	ADDED SH. 50; REVISED SH. 1A, 1B, 2, 4, 25, 26 & 27	12-15-58	HBJ	WGN
J	ADDED SH. 51, REVISED SH. 1D.	6-2-60	WTH	WGN
K	REVISED SH. 1B, 1D, 26 & 28. ADDED SH. 52, PC. 119	1-12-61	WTH	WGN
L	ADDED PC. 120. DELETED PCS. 45, 99, 95, SH. 28, 43. REVISED SH. 1B, 1C, 1D, 52.	8-29-61	WTH	WGN
M	REVISED SH. 1D & 4.	10-12-61	WTH	WGN
N	REVISED SH. 1A, 1D, 52 & PC. 120. DELETED SH. 51, PC. 118	2-8-61	WTH	WGN

TOLERANCES UNLESS SPECIFIED

DIMENSIONS ARE IN INCHES

DECIMAL DIMENSIONS ±.005

FRACTIONAL DIMENSIONS ± 1/64

NOTE:

TO KEEP THIS DRAWING CURRENT, SHEET REVISIONS AND INDEX WILL BE ISSUED IN LOOSE LEAF FORM.

SUPERSEDES REV. B 1/10/53

NAVY DEPARTMENT

WASHINGTON, D.C.

BUREAU OF SHIPS

EXAMINED		STANDARD DETAILS FOR ELECTRICAL FITTINGS (MOUNTING BRACKETS, STUDS, STRAPS, PADS, BOLTS AND WELDNUTS.) FABRICATED PARTS
OFFICIAL	SIGNATURE	
PROJECT ENGINEER	<i>Crossland</i>	
REVIEWED	<i>Nelson</i>	
TRACED		
DRAWN	<i>R.K. Berry</i>	
APPROVED		DATE: <i>7-7-56</i>
<i>AL</i> <i>Ed. J. Robinson</i> FOR CHIEF OF BUREAU		

ELECTRICAL STANDARD DRAWING	NAVY DEPT. BUSHIPS DRAWING NO.			REV.
	9000	56202	A74031	N
STD. NAVY STK. NO.	SCALE: AS SHOWN		SHEET 1 OF 52	