

MIL-R-2726/73B(SH)
3 July 1986
SUPERSEDING
MIL-R-2726/73A(SHIPS)
1 March 1972

MILITARY SPECIFICATION SHEET

- ⓑ RECEPTACLE, ELECTRICAL, 15-AMPERE, 125-VOLT, BLADED TYPE,
GROUNDED (PORTABLE) (SYMBOL NO. 1215)
- ⓑ This specification is approved for use within the Naval Sea Systems
Command, Department of the Navy, and is available for use by all
Departments and Agencies of the Department of Defense.
- ⓑ The requirements for acquiring the receptacle described herein shall
consist of this specification and the latest issue of MIL-R-2726.

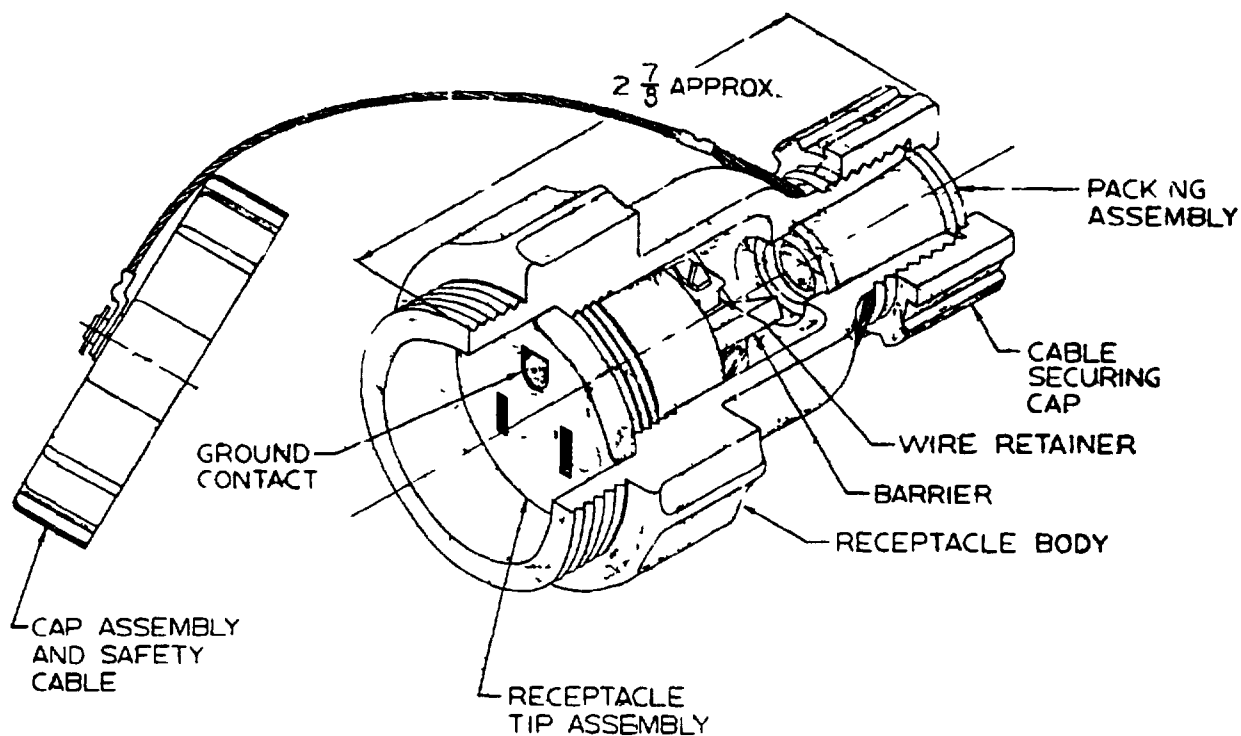
ⓑ denotes changes.

AMSC N/A

DISTRIBUTION STATEMENT A

Approved for public release; distribution unlimited

FSC 5935

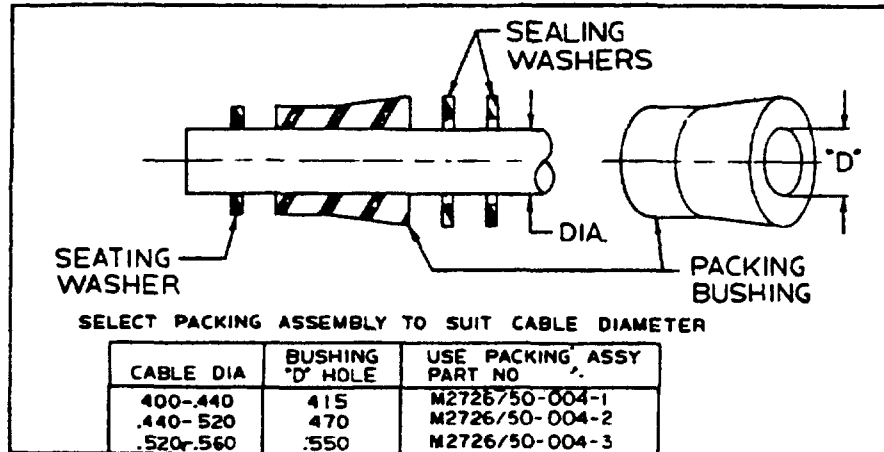


SH 10421

NOTE:

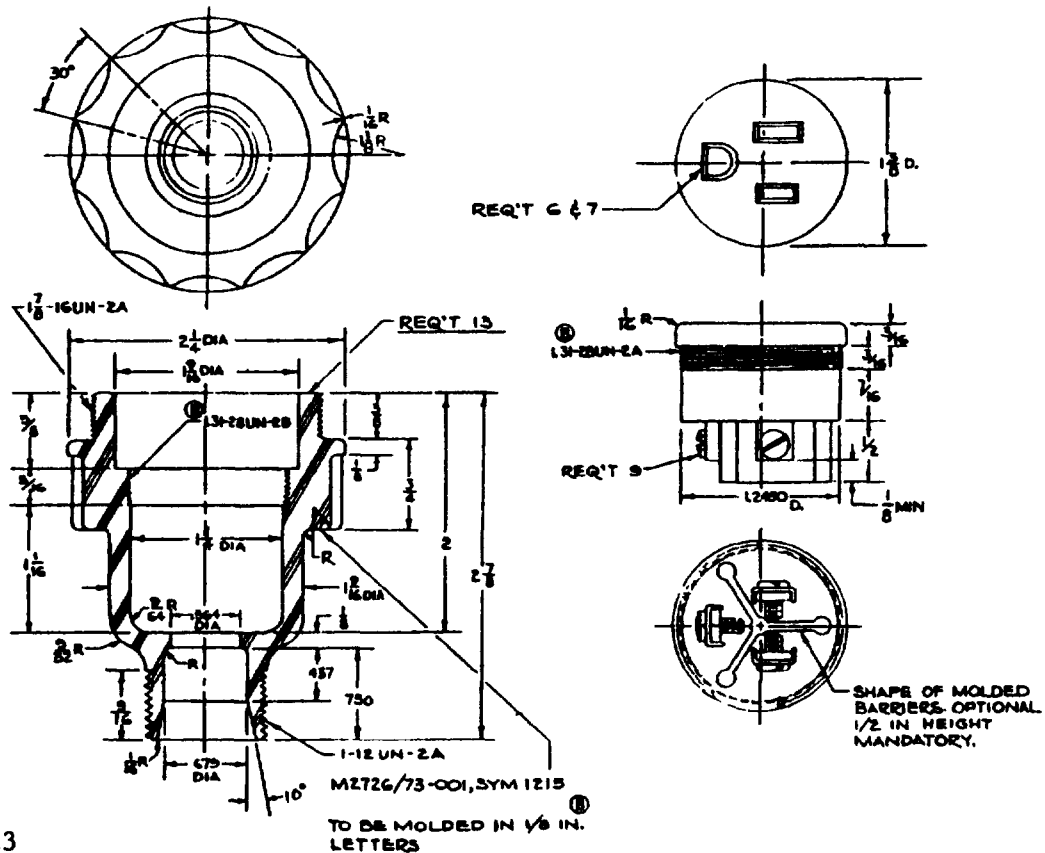
1. Dimensions are in inches. Unless otherwise specified, tolerances are $\pm 1/64$ inch for fractions.

FIGURE 1. Receptacle assembly.



SH 10422

FIGURE 2. Instruction sheet.



SH 10423

NOTE:

1. Dimensions are in inches. Unless otherwise specified, tolerances are $\pm 1/64$ inch for fractions and ± 0.005 inch for decimals. Angular tolerance is $\pm 1/2$ degree.

FIGURE 3. Receptacle body.

FIGURE 4. Receptacle tip assembly.

MIL-R-2726/73B(SH)

REQUIREMENTS:

1. Dimensions and configurations: See figures 1, 2, 3 and 4.
2. Effectiveness of enclosure: Watertight in accordance with MIL-STD-108.
3. Strain relief 30 pounds.
- ④ 4. Material: Receptacle body and end cap shall be molded polycarbonate (yellow) in accordance with L-P-393. Receptacle tip assembly (contact insulation) shall be polycarbonate (yellow) or type MAI-60 (yellow) in accordance with MIL-M-14. Contact material shall be phosphor bronze in accordance with QQ-B-750.
- ④ 5. Receptacle: Contact arrangement shall conform to W-C-506/11, part number W-C-596/11-1. The ground contact shall be nickel-plated, 0.0003 inch thick.
6. Cable securing cap: MIL-S-19622/10, part number M19622/10-0002, except color shall be yellow and material may be polycarbonate, if desired.
7. Terminals: Shall be furnished with wire retainers and binding head screws. Ground screw shall be hexagonal head and shall be finished in a distinctive green color. Ground contact shall be nickel-plated.
- ④ 8. Packing assemblies: MIL-R-2726/50, part numbers M2726/50-004-1, M2726/50-004-2, M2726/50-004-3 shall be furnished with the receptacle assembly. User shall select size that most nearly fits the cable as shown on figure 2.
- ④ 9. Mating plug: MIL-R-2726/38, part number M2726/38-001 (not furnished).
- ④ 10. Test cables: Type CO-03HOF(3/16) in accordance with MIL-C-3432 - use with M2726/50-004-1 (not furnished).
MIL-C-24643 and MIL-C-24643/3 - use with M2726/50-004-2 (not furnished).
Type CO-03HOF(3/14) in accordance with MIL-C-3432 - use with M2726/50-004-3 (not furnished).
11. Design: Receptacle tip assembly shall be threaded into receptacle body. Barriers shall be molded integral with receptacle tip and shall extend 1/8 inch minimum above the electrical contacts. End of receptacle body shall be flat for effective watertight seal against gasket of mating receptacle plug.
12. Instruction sheet: An instruction sheet with the information shown on figure 2 shall be furnished with each receptacle on paper 4 by 6 inches.
13. Safety cable: MS17339, part number MS17339-2, looped around neck of receptacle body and crimped to prevent removal.
14. Cap assembly: In accordance with MIL-R-2726/37.
15. Intended use: Shipboard, on weatherdecks or in high moisture environments below decks, for maintaining watertight seal when used in a cable extension assembly with plug connector, M2726/38-001 in accordance with MIL-R-2726/38.
16. Electrical rating: 15-amperes, 125-volts, alternating current, 60-hertz.
17. Tests: The shock and vibration tests required by MIL-R-2726 are not required for the receptacle covered by this specification.
18. Part number: M2726/73-001.

ⓑ QUALITY ASSURANCE:

Quality assurance shall be as specified in MIL-R-2726 and table I herein. The first article and quality conformance inspections shall consist of the inspections as specified in table I, in the order shown.

TABLE I. First article and quality conformance inspection.

Inspection	Requirement	Test method	First article	Quality conformance
Examination	3.1, 3.3, 3.4, 3.5, 3.6 and 3.7	4.6.1	X	X
Insulation resistance	3.5.1	4.7.1	X	X
Dielectric withstanding voltage	3.5.2	4.7.2	X	X
Contact resistance	3.5.3.1	4.7.3.1	X	X
Endurance	3.5.5	4.7.5	X	
Salt spray	3.5.11	4.7.11	X	
Contact resistance	3.5.3.1	4.7.3.1	X	
Current load	3.5.12	4.7.12	X	
Vibration	3.5.9	4.7.9	X	
Shock	3.5.10	4.7.10	X	
Effectiveness of enclosure	3.5.4	4.7.4	X	X
Dielectric withstanding voltage	3.5.2	4.7.2	X	
Rockwell hardness	3.5.14	4.7.14	X	

Preparing activity:
Navy - SH
(Project 5935-N255-74)