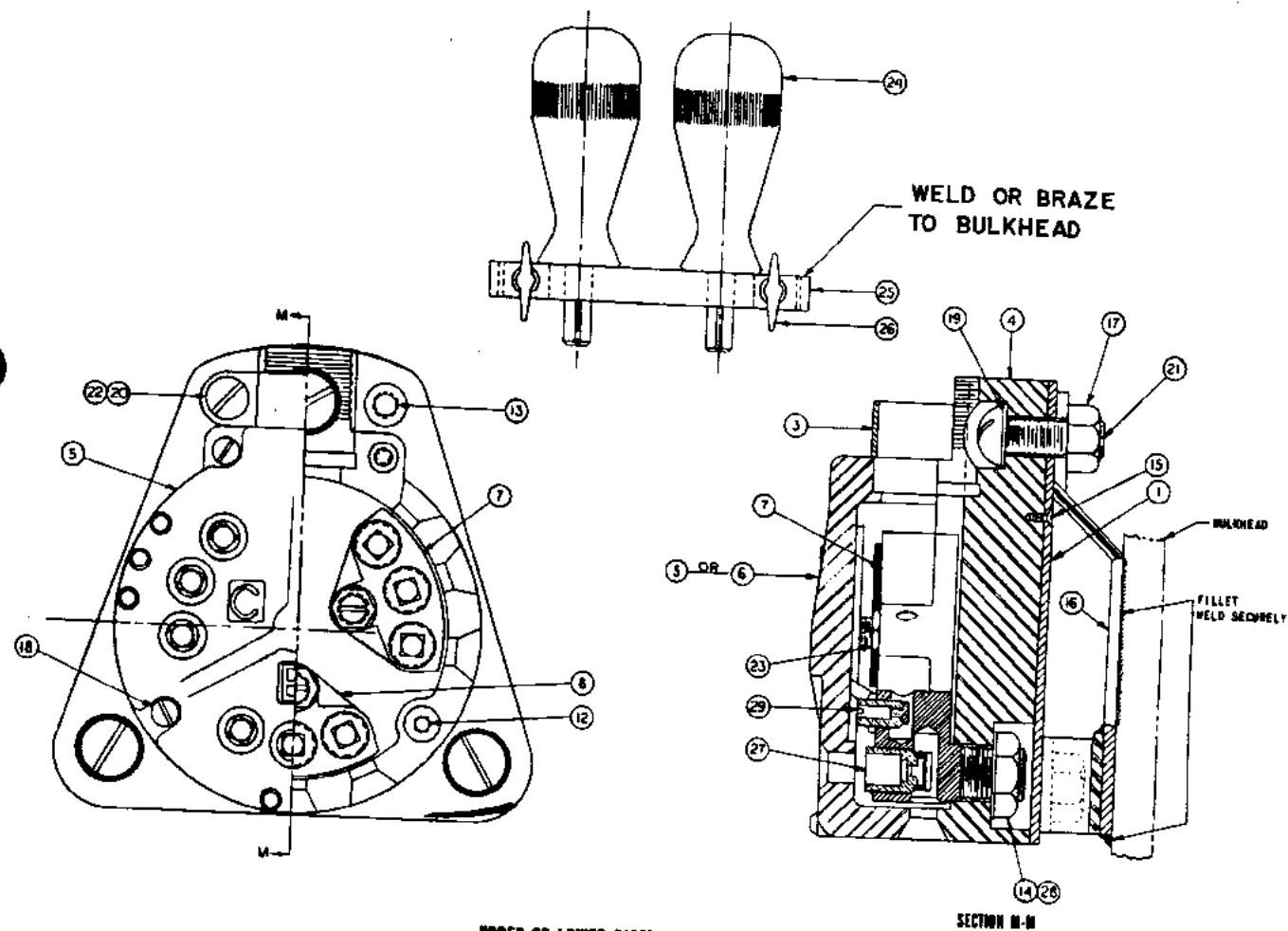


MIL-T-24381/2 (SHIPS)
21 September 1972

MILITARY SPECIFICATION SHEET
TERMINALS, CASUALTY POWER, RISER,
200-AMPERE, 500-VOLT, THREE-PHASE, ALTERNATING
CURRENT, SYMBOL NUMBERS
1032, 1033, AND 1034

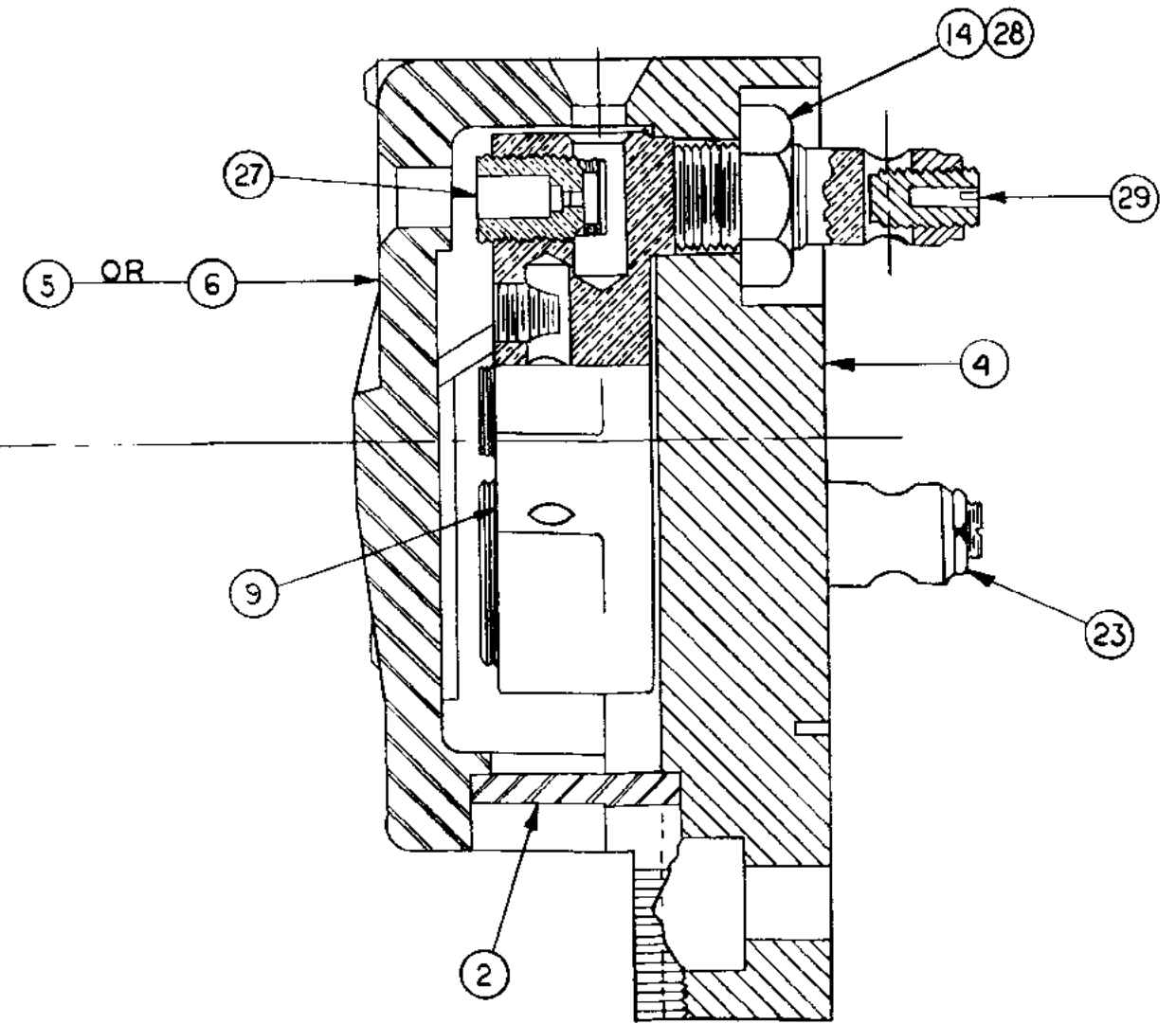
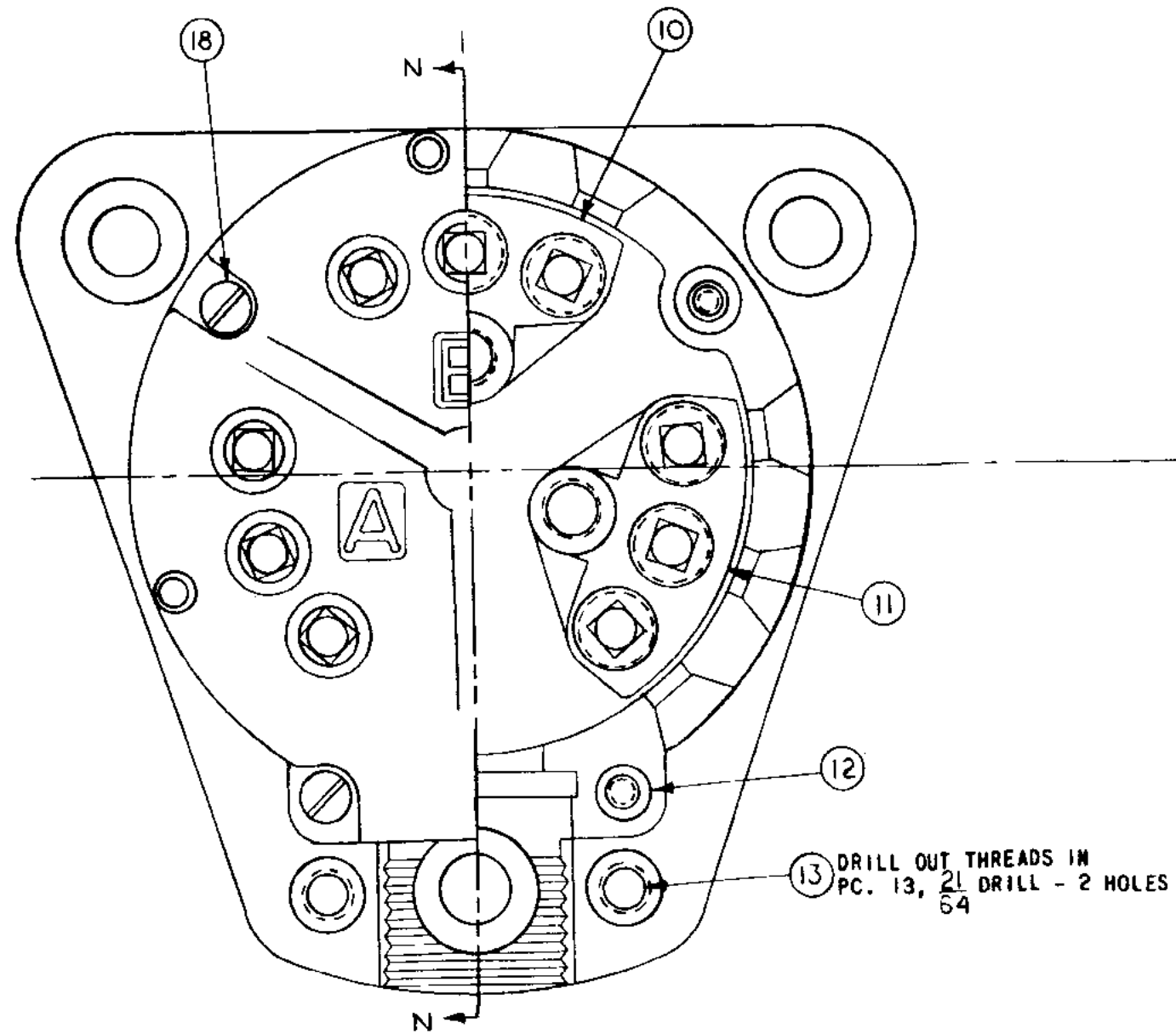
The complete requirements for procuring the terminal described herein shall consist of this document and the latest issue of Specification MIL-T-24381 (SHIPS).



UPPER OR LOWER RISER TERMINAL
FRONT CONNECTED
UPPER TERMINAL, SYMBOL NO. 1033 PART NO. M24381/2-02
LOWER TERMINAL, SYMBOL NO. 1032 PART NO. M24381/2-01

SR 10221

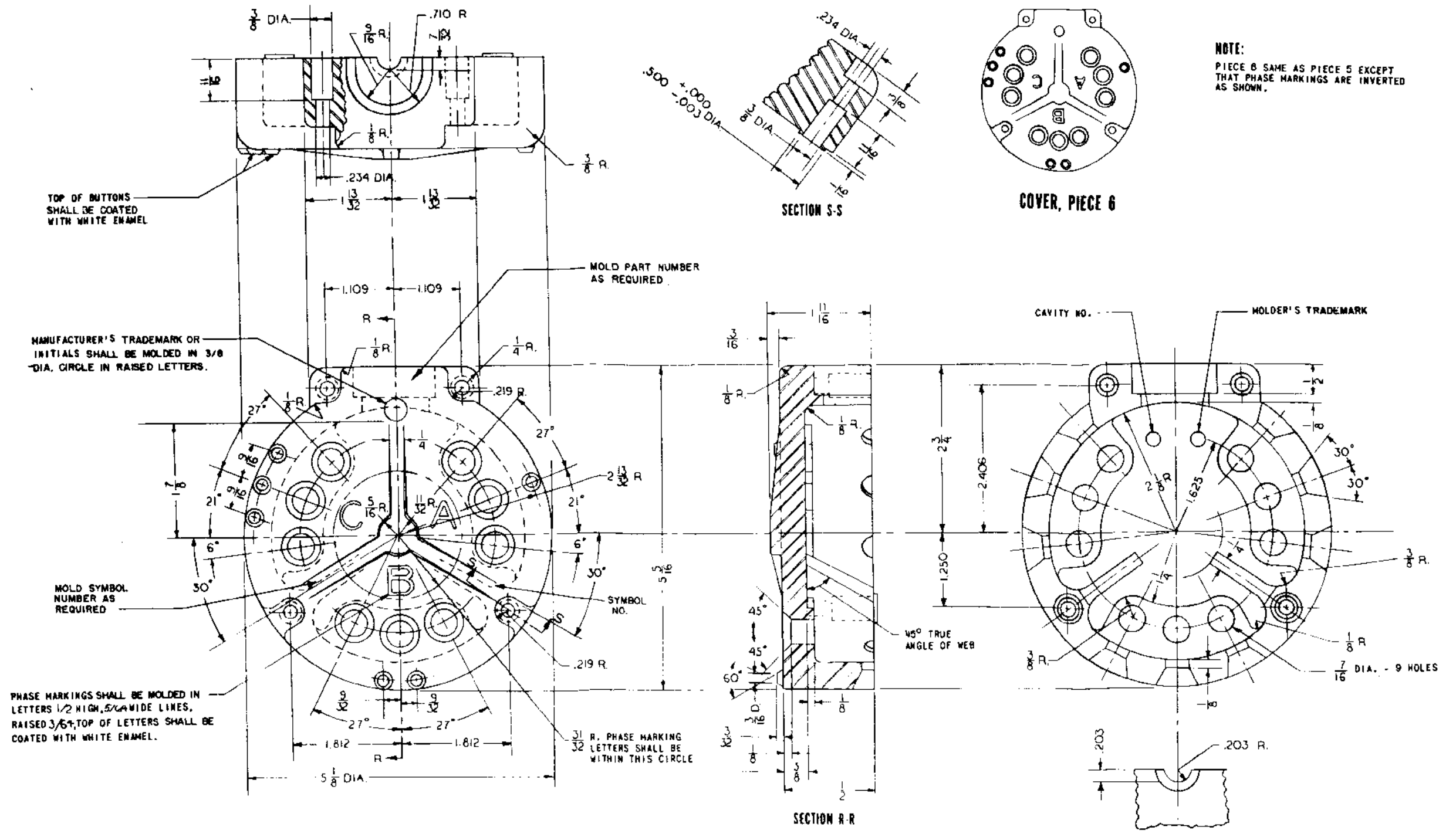
NOTE: Supersedes NAVSHIPS Drawing 9-5-5302-L.



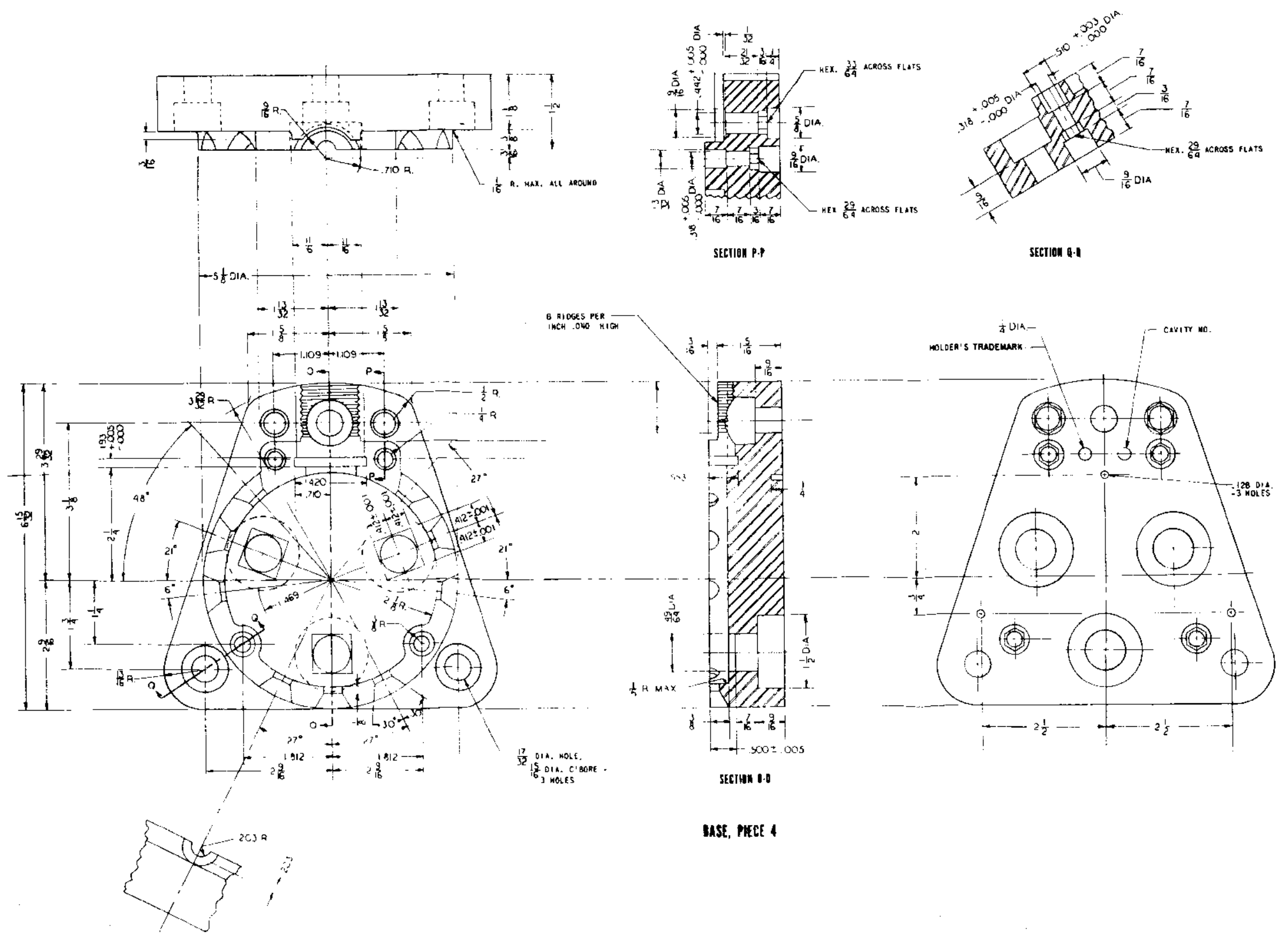
SECTION N-N

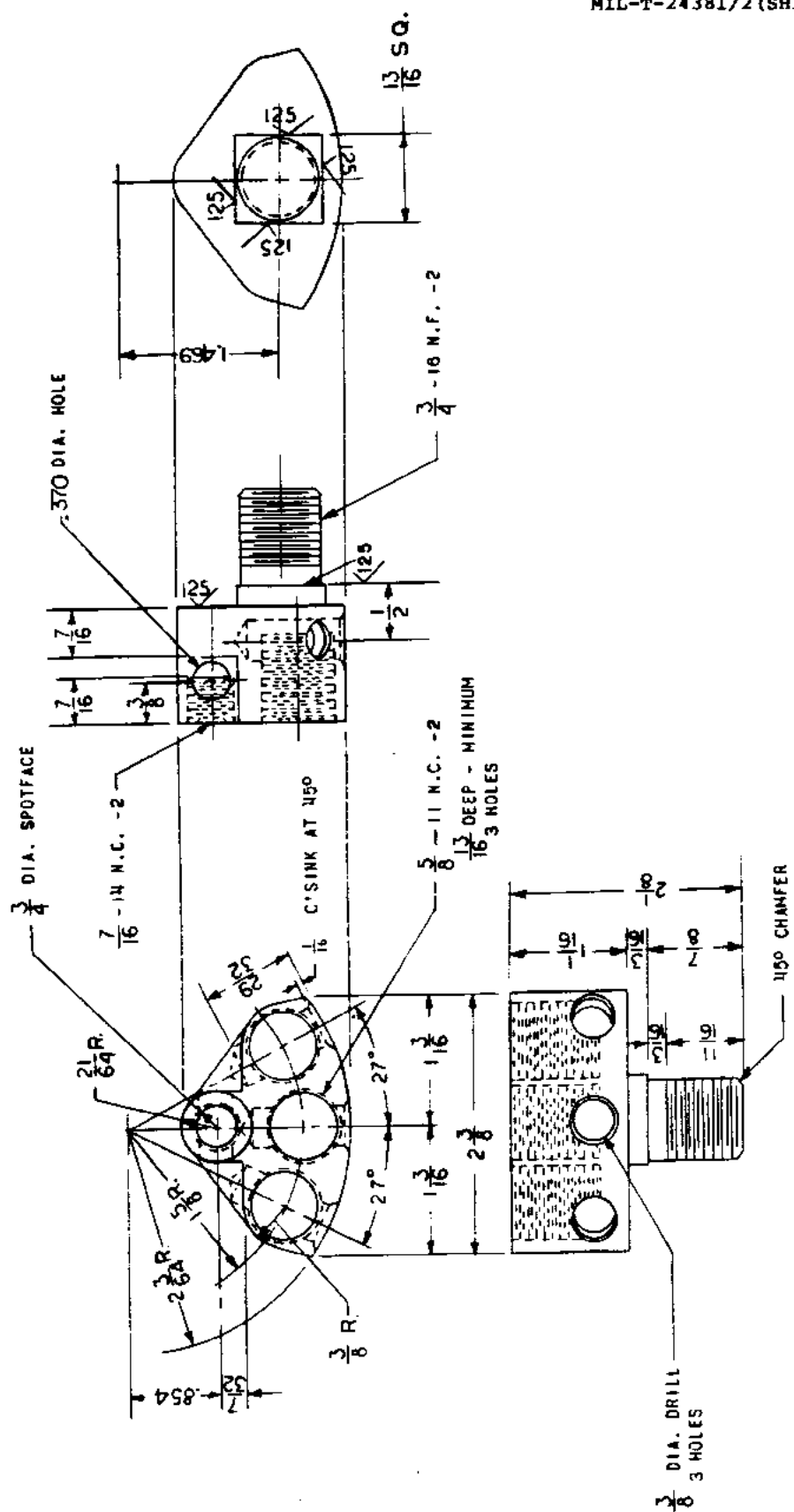
UPPER OR LOWER RISER TERMINAL
BACK CONNECTED

SYMBOL NO. 1034 PART NO. M24381/2-03



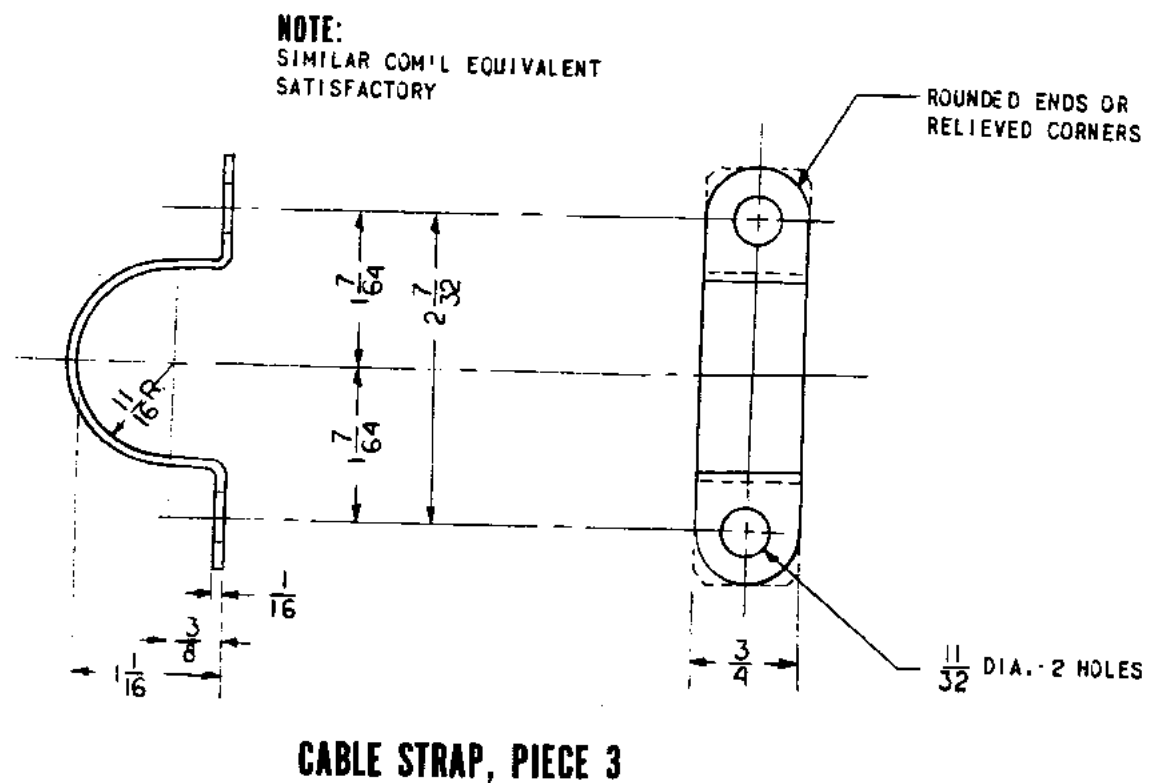
SH 10753



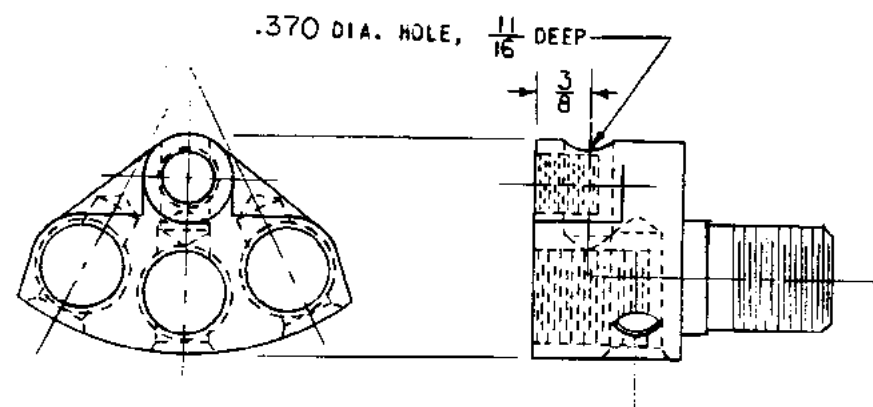


TERMINAL, PIECE 7

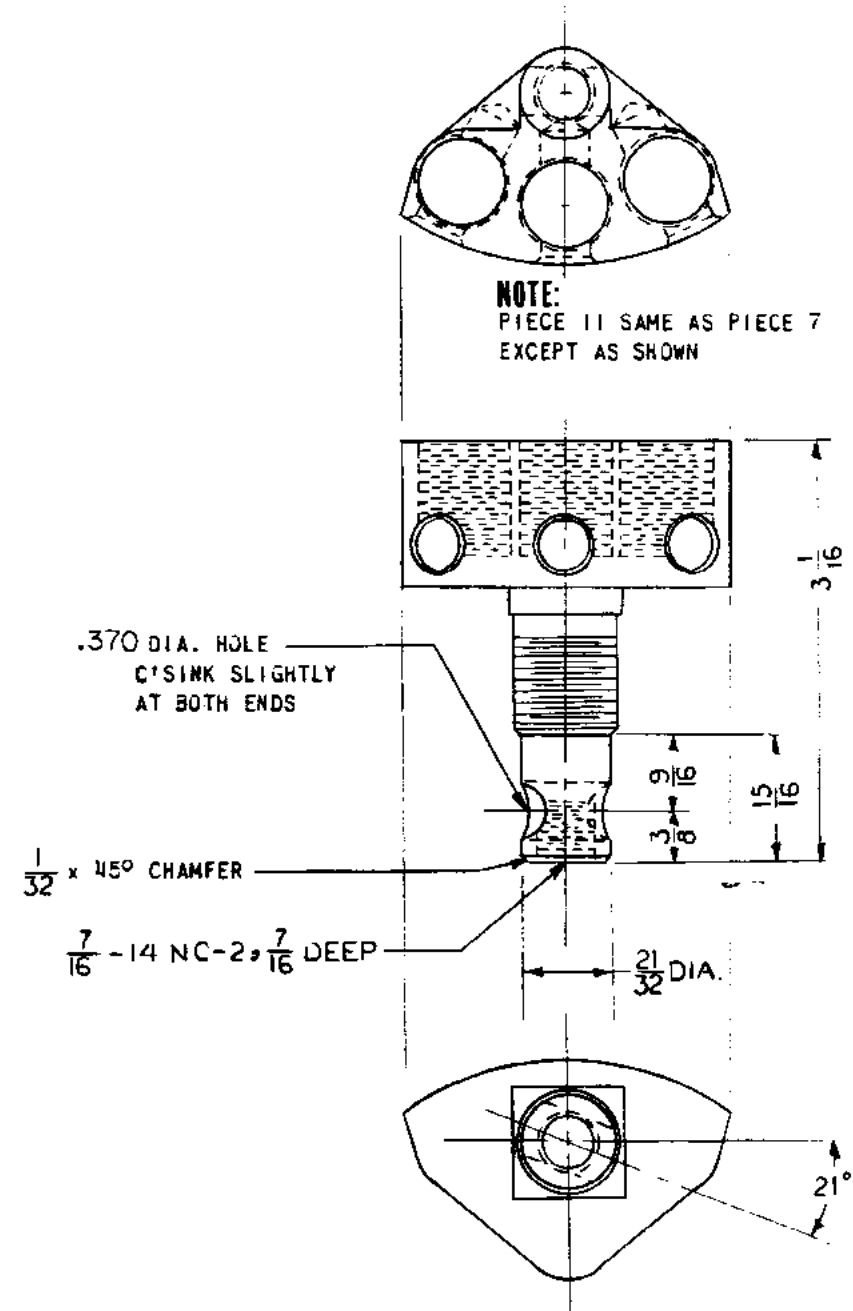
SH 10287



NOTE: PIECE 3 SAME AS PIECE 7 EXCEPT AS SHOWN



SH 10288



NOTE:
PIECE 11 SAME AS PIECE 7
EXCEPT AS SHOWN

.370 DIA. HOLE
C'SINK SLIGHTLY
AT BOTH ENDS

$\frac{1}{32}$ x 45° CHAMFER

$\frac{7}{16}$ -14 NC-2, $\frac{7}{16}$ DEEP

$\frac{21}{32}$ DIA.

$3\frac{1}{16}$

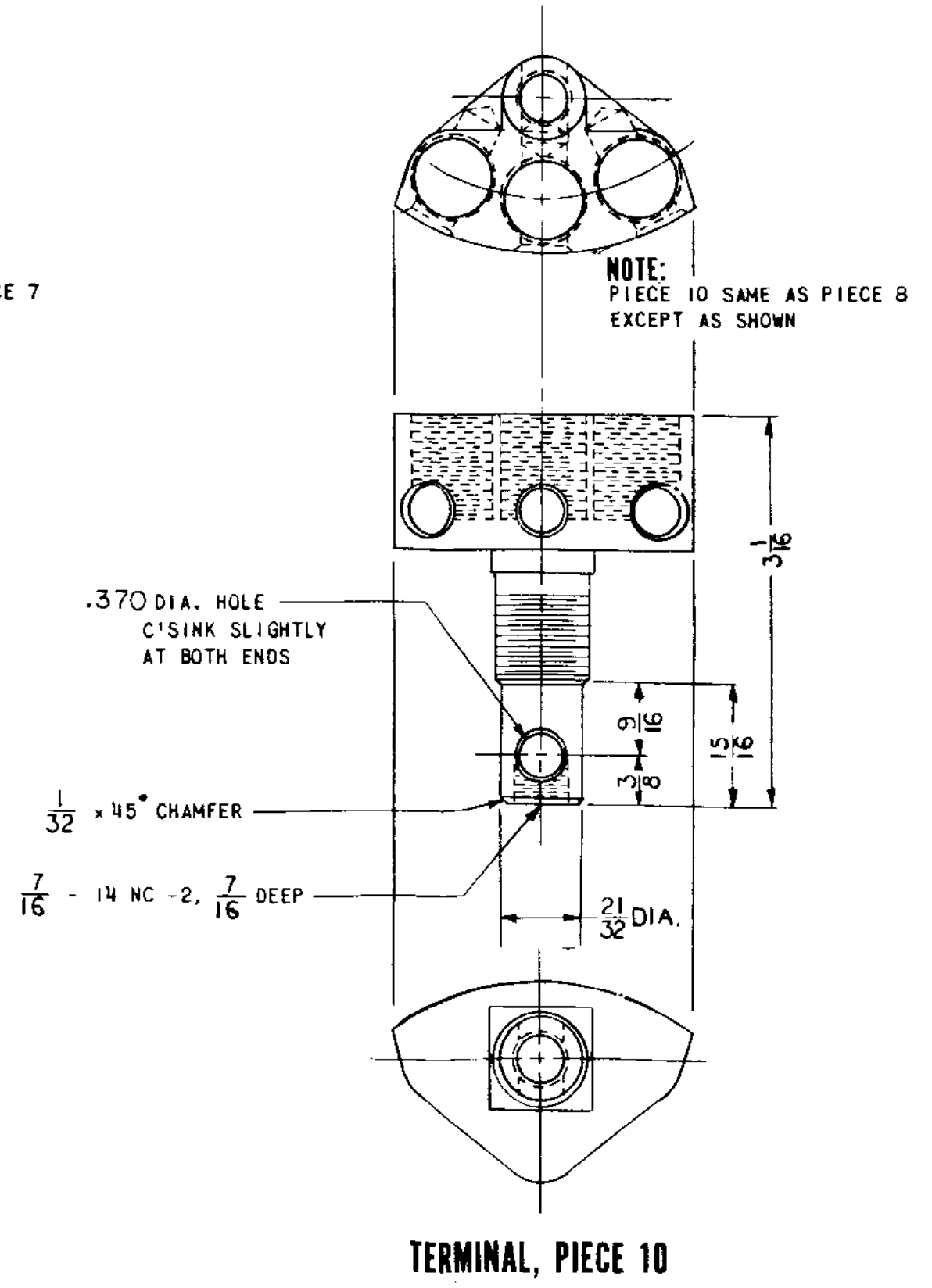
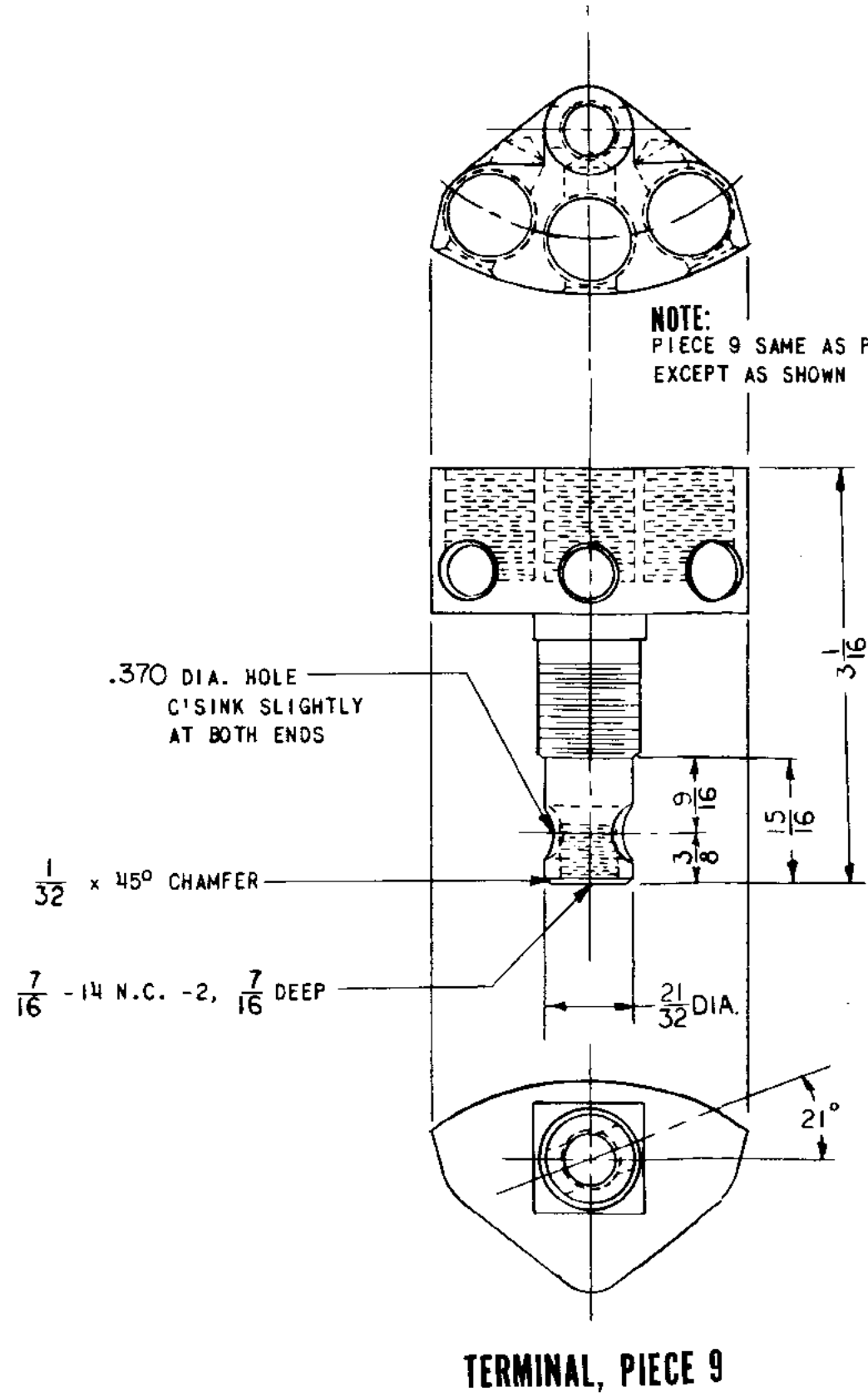
$\frac{9}{16}$

$\frac{15}{16}$

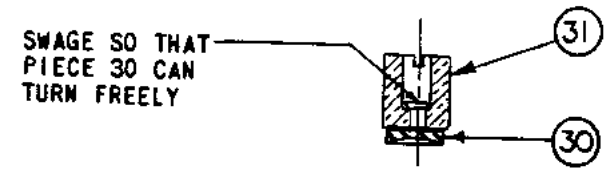
21°

TERMINAL, PIECE 11

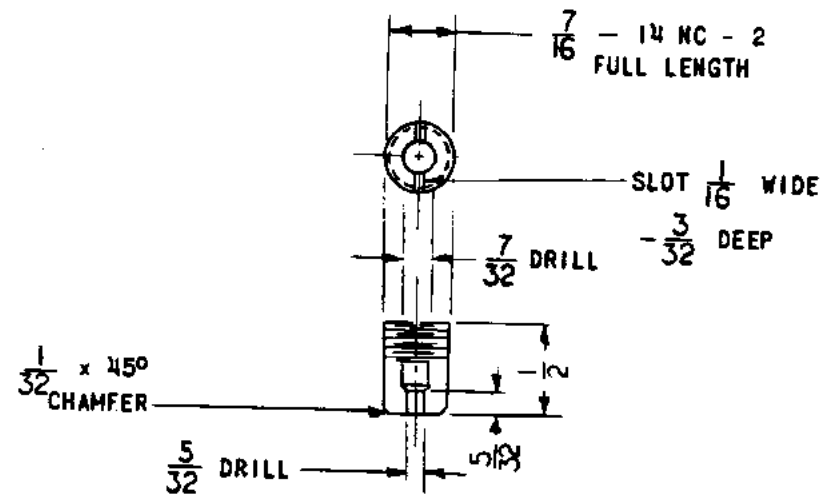
SH 10289



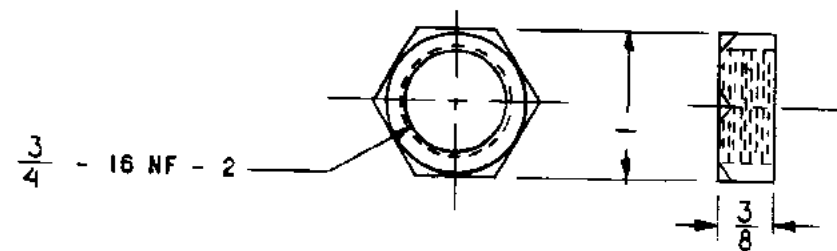
SH 10290



TERMINAL SCREW ASSEMBLY, PIECE 29

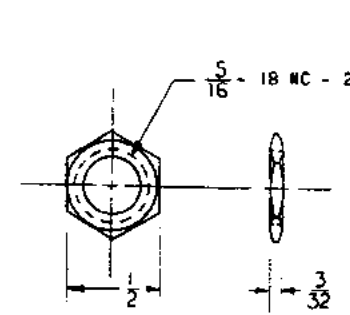


MAIN TERMINAL SCREW, PIECE 31

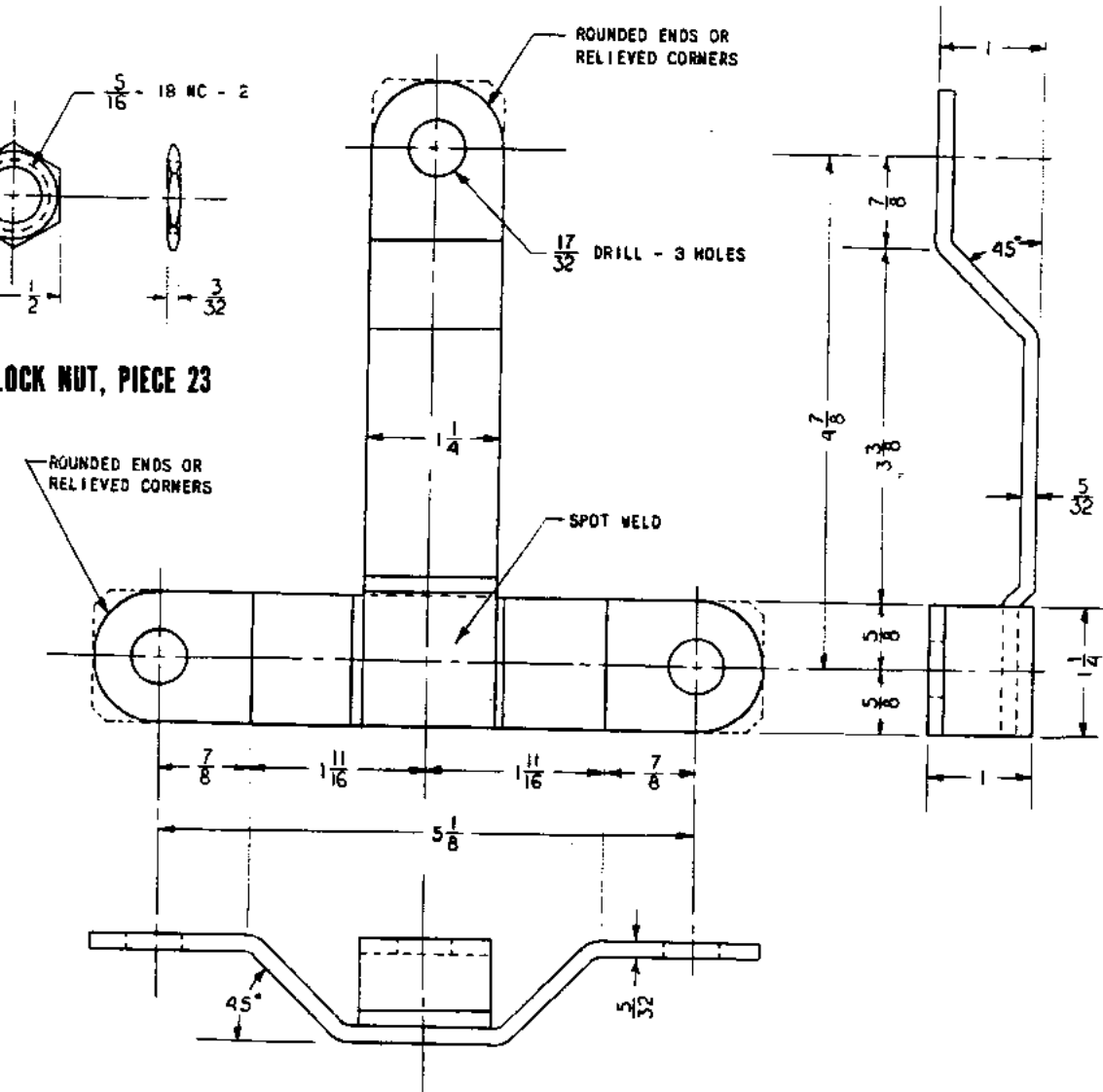


NUT, PIECE 14

SH 10291

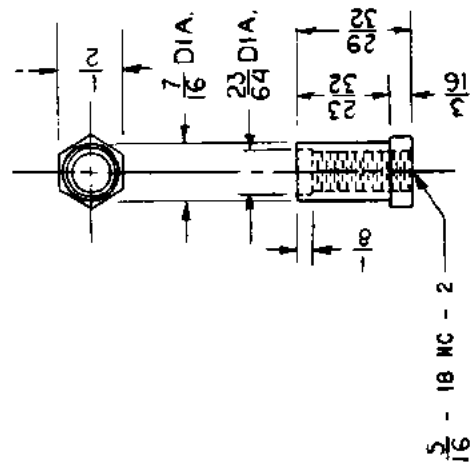


LOCK NUT, PIECE 23

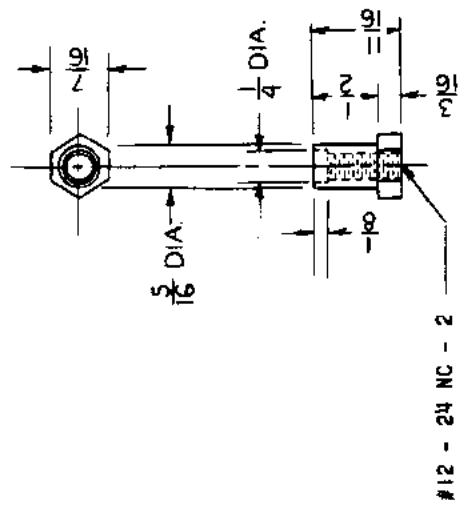


BRACKET, PIECE 16

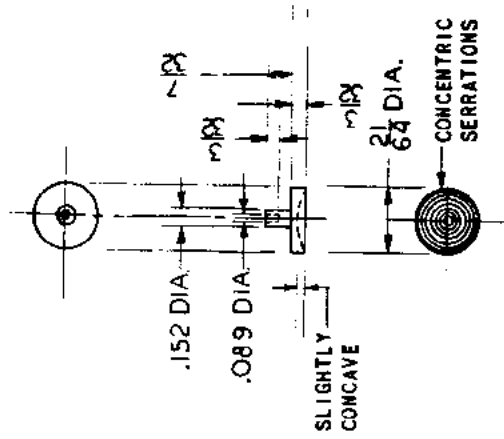
SH 10292



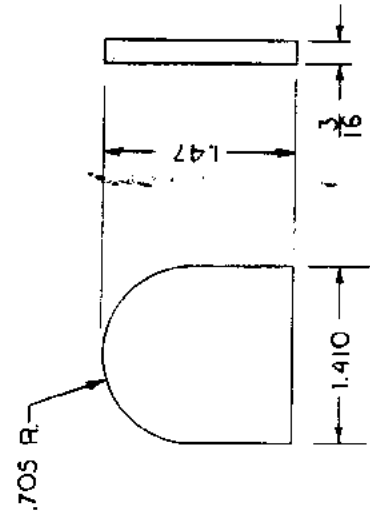
INSERT, PIECE 13



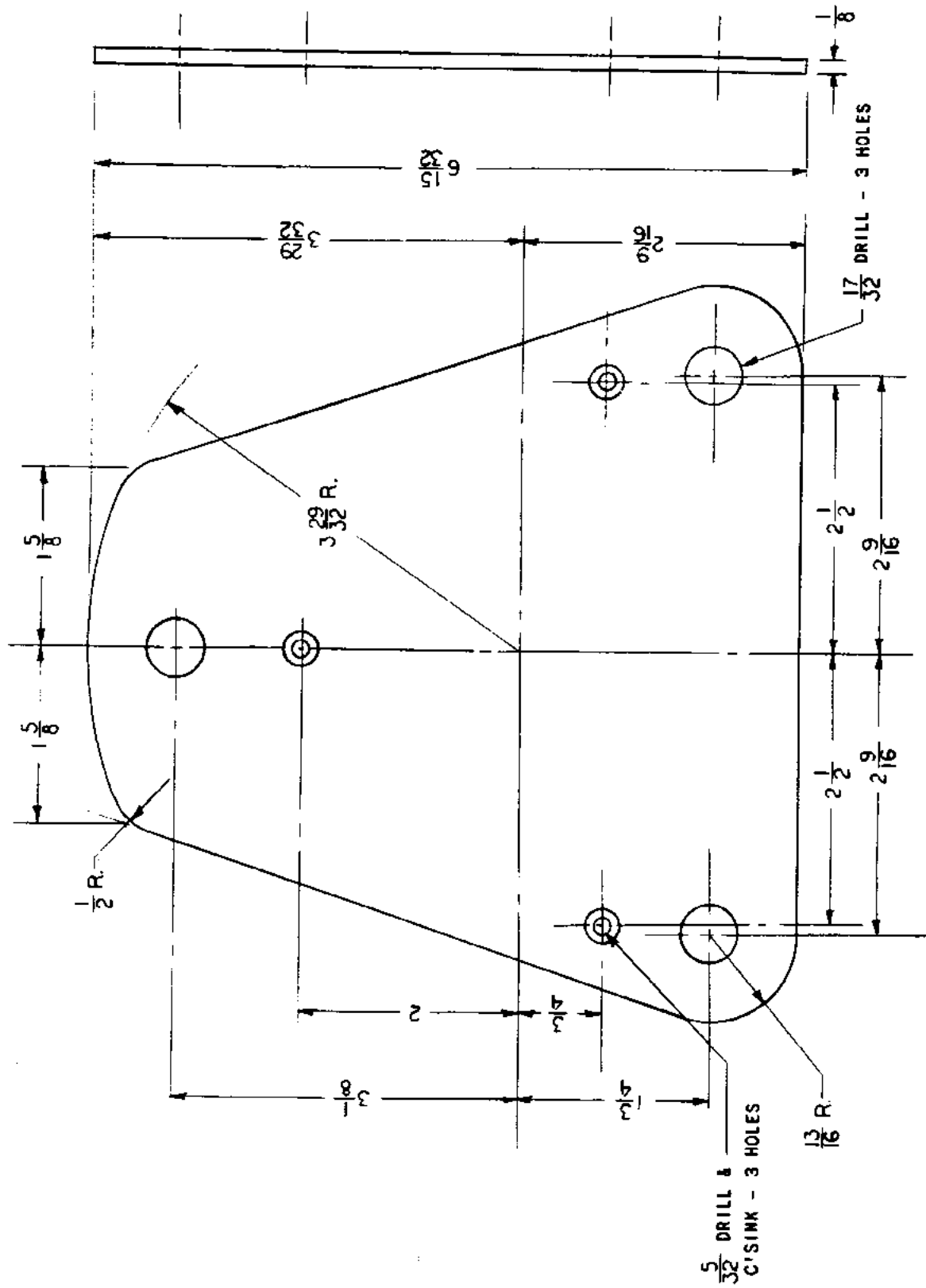
INSERT, PIECE 12



PRESSURE DISK, PIECE 30



PLUG, PIECE 2



SUB BASE, PIECE 1

Piece number	Name of piece	List of material			Material	Material specifications	Finish	Remarks
		Quantities are for one a.c. riser terminal						
		Number required						
		Back conn.	Front conn.					
		Upper	Lower	Upper	Lower			
1	Sub base		1					
2	Plug	1						
3	Cable strap							
4	Base		1					
5	Cover (for lower riser term.)			1				
6	Cover (for upper riser term.)			1				
7	Terminal		2					
8	Terminal		1					
9	Terminal		1					
10	Terminal		1					
11	Terminal		1					
12	Insert		4					
13	Insert		2					
14	Nut		3					
15	6 F. II. self-tapping scr. 5/16" lg.		3					
16	Bracket		1					
17	1/2" - 13 hex nut		1					
18	1/2-24 r.h. mach. scr. 2" lg.		4					
19	Shakeproof washer for 1/2" - 13 bolt		4					
20	5/16"-18 r.h. mach. scr. 1" long		2					
21	1/2"-13 r.h. mach. scr. 1-3/8" long		2					
22	Shakeproof washer for 5/16"-18 scr.		2					
23	Lock nut		3					
24	Tool handle assembly		2					
25	Tool rack assembly		1					
26	Wing screw		2					
27	Terminal screw assembly		9					
28	Shakeproof washer for 3/4"-16 scr.		3					
29	Terminal screw assembly		3					
30	Pressure disk		3					
31	Main terminal screw		3					

1/ Molded plastic type M11-30 (natural) may be substituted for type 'M11-60 (gray).

All dimensions in inches
unless otherwise specified

Tolerances are:

Fractions + 1/64
Decimals ± .005
Angles ± 1/4° degree

REQUIREMENTS:

- Dimensions and configuration: See figures.
- A.c. riser terminals shall be designed for use with main cable, type TSGU-75 of MIL-C-915/30 and branch cable, type THOF-42 of MIL-C-915/6.
- Hex-head "spin over" locked skirt inserts for cover securing screws and cable clamps screws shall be provided.
- Electrical rating: 200-ampere, 500-volt, a.c. three-phase.
- Cover for a.c. riser terminal is covered by MIL-T-24381/6.
- Part numbers as follows:

Upper terminal, front connected: M24381/2-02
Lower terminal, front connected: M24381/2-01.
Upper or lower, back connected: M24381/2-03.

Preparing activity:
Navy - SH
(Project 5940-N557)

*U.S. GOVERNMENT PRINTING OFFICE: 1991--504-034/50113