

INCH-POUND
MIL-S-19622/4B(SH)
11 December 1992
SUPERSEDING
MIL-S-19622/4A(SH)
24 June 1986

MILITARY SPECIFICATION SHEET

STUFFING TUBES, "Y"-TYPE NYLON

This specification is approved for use by the Naval Sea Systems Command, Department of the Navy, and is available for use by all Departments and Agencies of the Department of Defense.

The requirements for acquiring the product described herein shall consist of this specification sheet and the issue of the following specification listed in that issue of the Department of Defense Index of Specifications and Standards (DODISS) specified in the solicitation: MIL-S-19622.

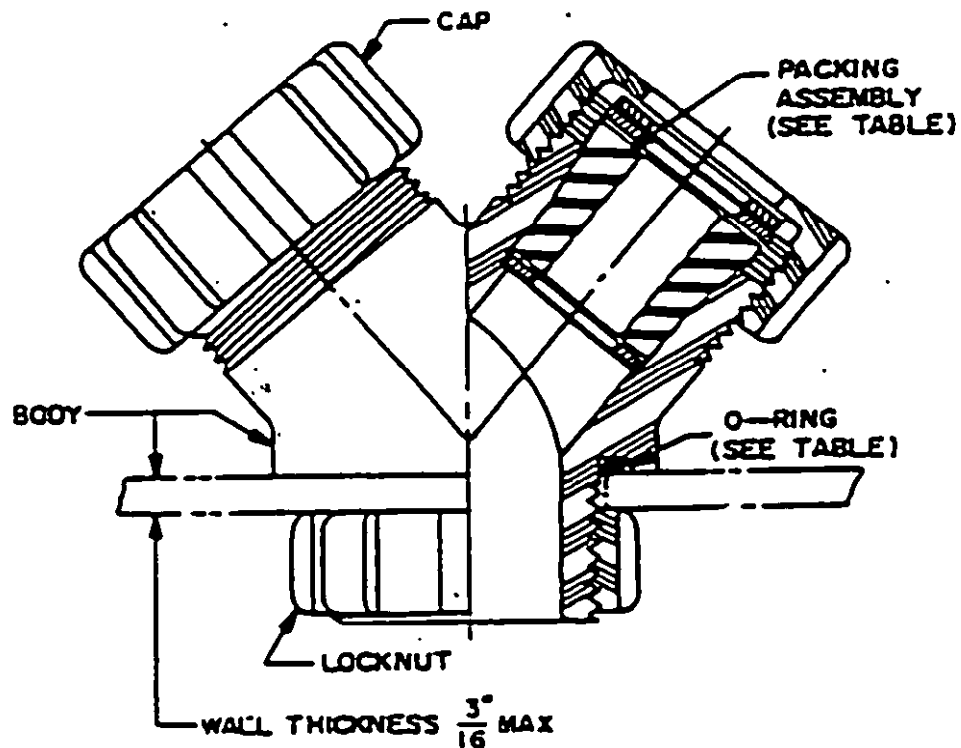


FIGURE 1. Configuration.

AMSC N/A

FSC 5975

DISTRIBUTION STATEMENT A. Approved for public release; distribution is unlimited.

TABLE I. Size selection.

Tube size	PIN	O-ring <u>1/</u>	Packing assembly <u>1/</u>
1	M19622/4-01	MS28775-212	M19622/16
2	M19622/4-02	MS28775-214	M19622/17
3	M19622/4-03	MS28775-216	M19622/18
4T	M19622/4-04	MS28775-220	M19622/19

1/ For information only, not to be furnished.

Revision letters are not used to denote changes due to the extensiveness of the changes.

Preparing activity:
Navy - SH
(Project 5975-N077-04)