

INCH-POUND
MIL-S-19622/2C(SH)
11 December 1992
SUPERSEDING
MIL-S-19622/2B(SH)
24 June 1986

MILITARY SPECIFICATION SHEET
STUFFING TUBES, 90 DEGREES, NYLON

This specification is approved for use by the Naval Sea Systems Command, Department of the Navy, and is available for use by all Departments and Agencies of the Department of Defense.

The requirements for acquiring the product described herein shall consist of this specification sheet and the issue of the following specification listed in that issue of the Department of Defense Index of Specifications and Standards (DODISS) specified in the solicitation: MIL-S-19622.

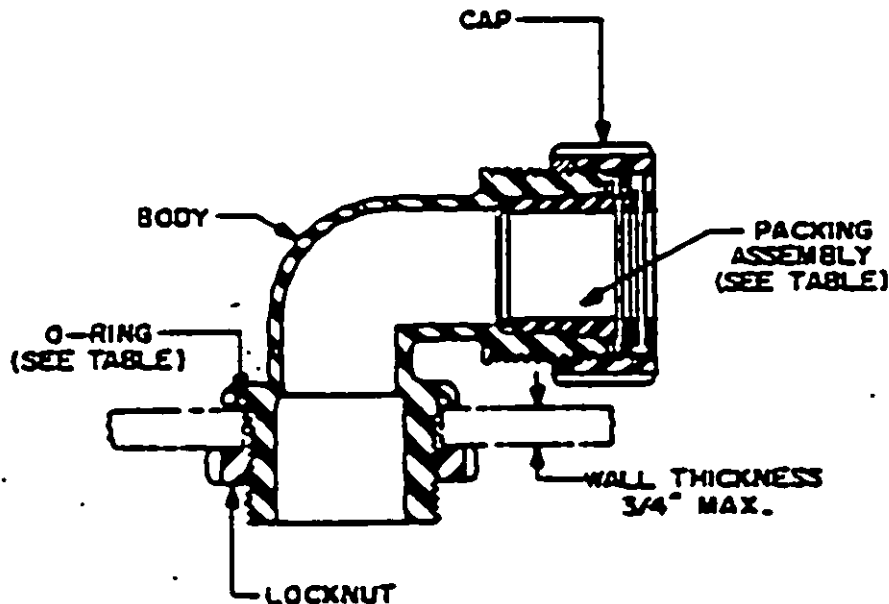


FIGURE 1. Configuration.

AMSC N/A
DISTRIBUTION STATEMENT A. Approved for public release; distribution is unlimited. FSC 5975

TABLE I. Size selection.

Tube size	PIN	Packing assembly <u>2/</u>	O-ring <u>2/</u>	Superseded part number
1	M19622/2-001	M19622/16	MS28775-212	MS16163-1
2	-002	/17	MS28775-212	MS16164-2
3	-003	/18	MS28775-216	MS17271-3
<u>1/</u> 4	-004	/19	MS28775-218	MS16165-4
4T	-005	/19	MS28775-218	MS16165-4T
5	-006	/20	MS28775-226	MS16166-5
6	-007	/21	MS28775-230	MS16167-6

1/ Original size 4 is for replacement in existing installations only when size 4T does not fit.

2/ For information only, not to be furnished.

Revision letters are not used to denote changes due to the extensiveness of the changes.

Preparing activity:
Navy - SH
(Project 5975-N077-02)